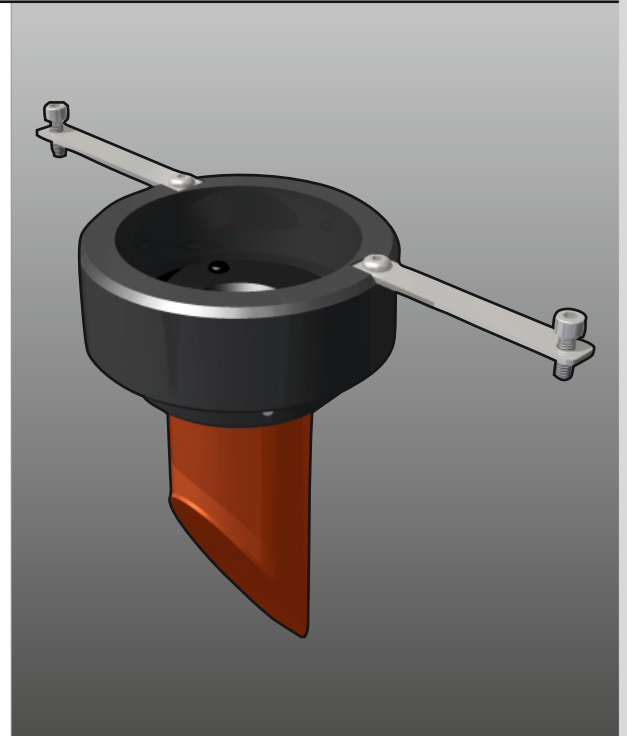


798-02-58 Blackbody Assembly

- Blackbody Accessory
- Fits Isotech Hydra and Orion Baths

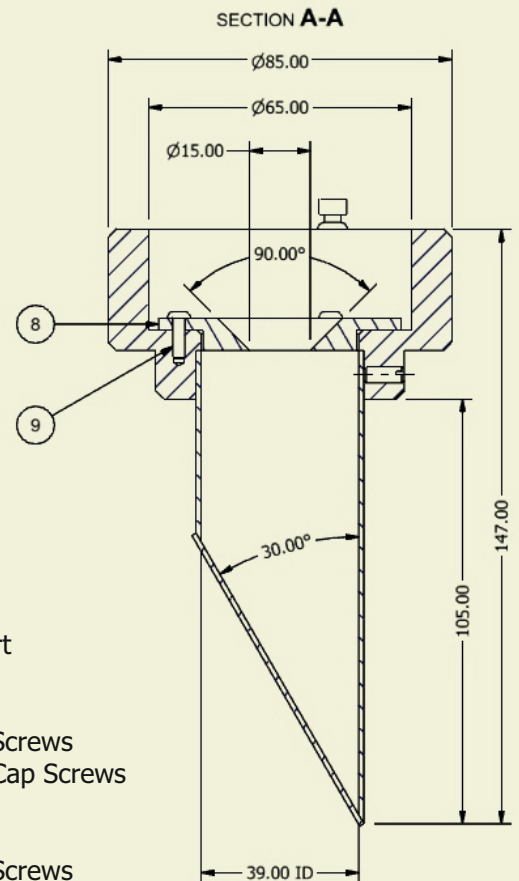
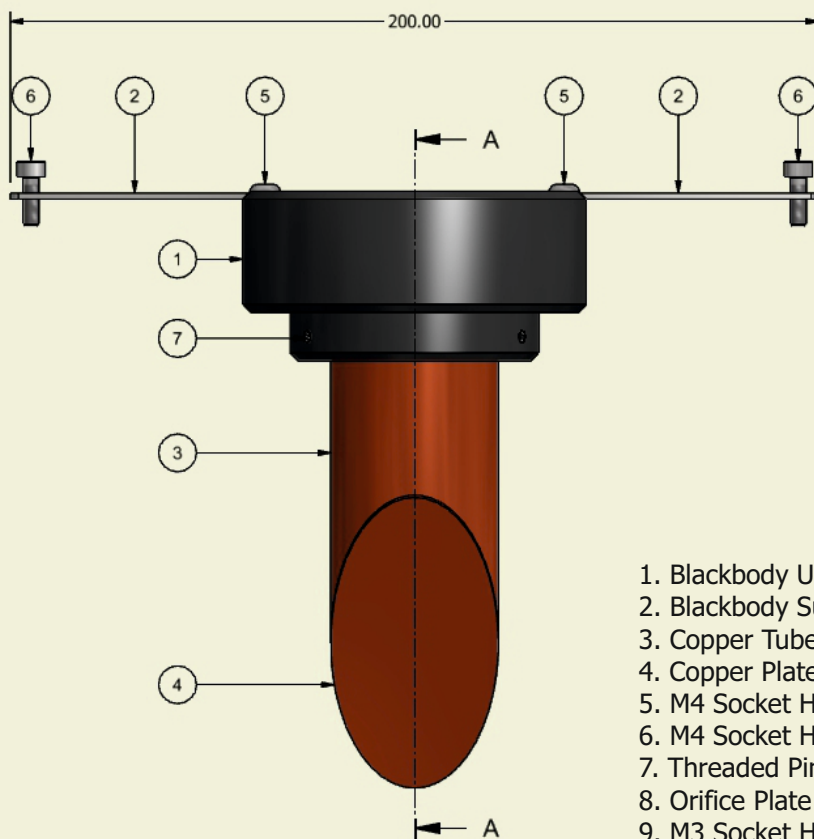
This accessory allows the calibration of infrared (IR) thermometers. The geometry and design ensure a high emissivity.

The assembly is fastened to the top of the calibration bath and extends into the liquid volume. To ensure excellent emissivity the copper block is internally coated with Pyromark paint.



<http://www.isotech.co.uk>

Model	798-02-58	
Suitable Apparatus	796 Orion, 798 Hydra	
Dimensions (see diagram below)	Height	147mm
	Diameter	85mm
	Total Width	200mm
How to Order	798-02-58 Hydra Blackbody Assembly	



1. Blackbody Upper
2. Blackbody Support
3. Copper Tube
4. Copper Plate
5. M4 Socket Head Screws
6. M4 Socket Head Cap Screws
7. Threaded Pins
8. Orifice Plate
9. M3 Socket Head Screws